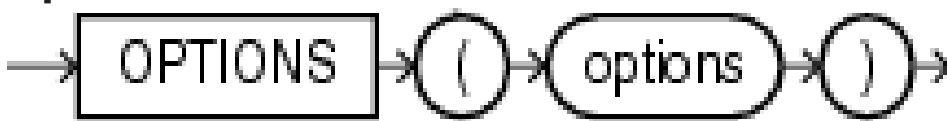


This appendix describes SQL*Loader syntax in graphic form (sometimes called railroad diagrams or DDL diagrams). For information about the syntax notation used, see the [Oracle Database SQL Language Reference](#).

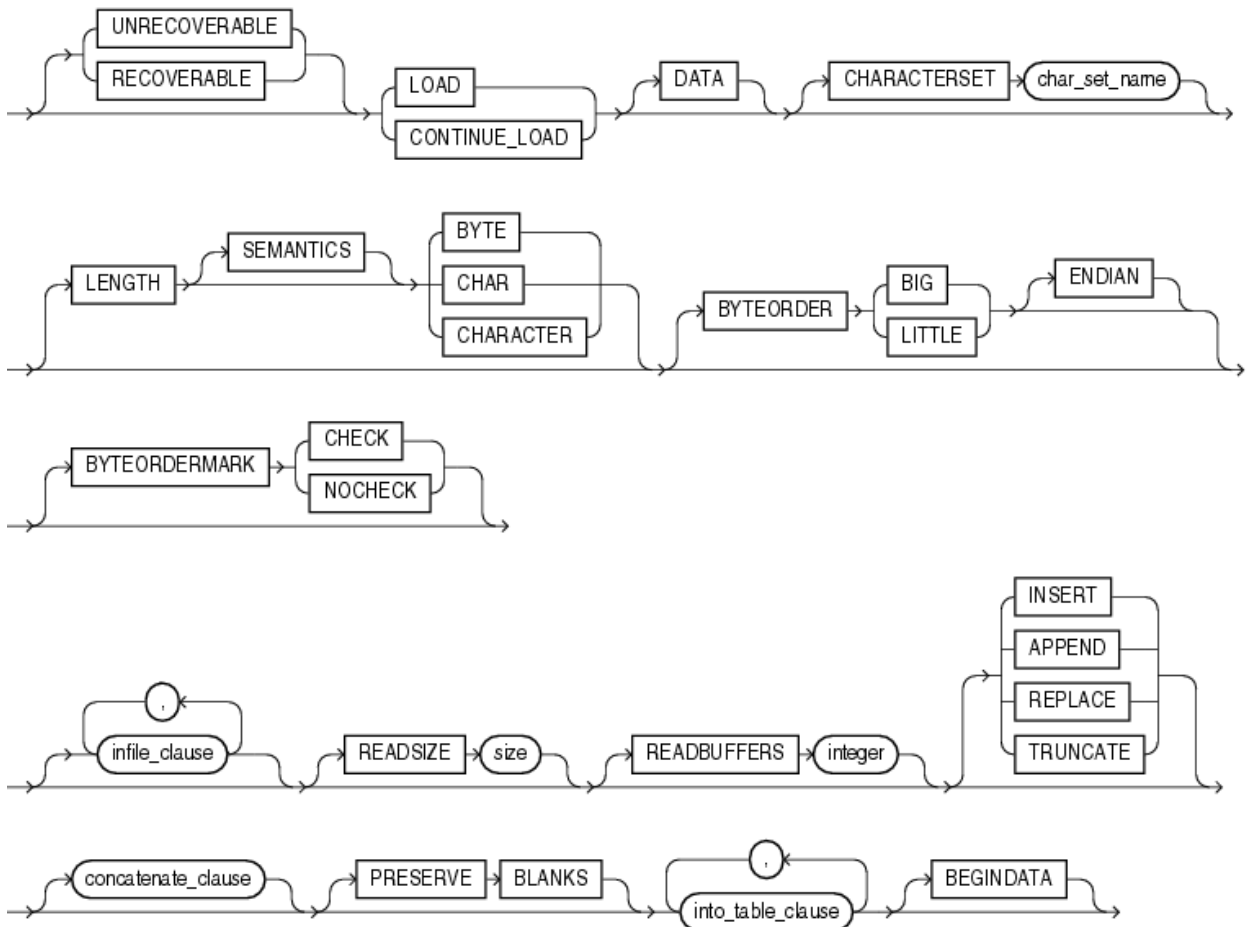
The following diagrams are shown with certain clauses collapsed (such as `pos_spec`). These diagrams are expanded and explained further along in the appendix.

Options Clause



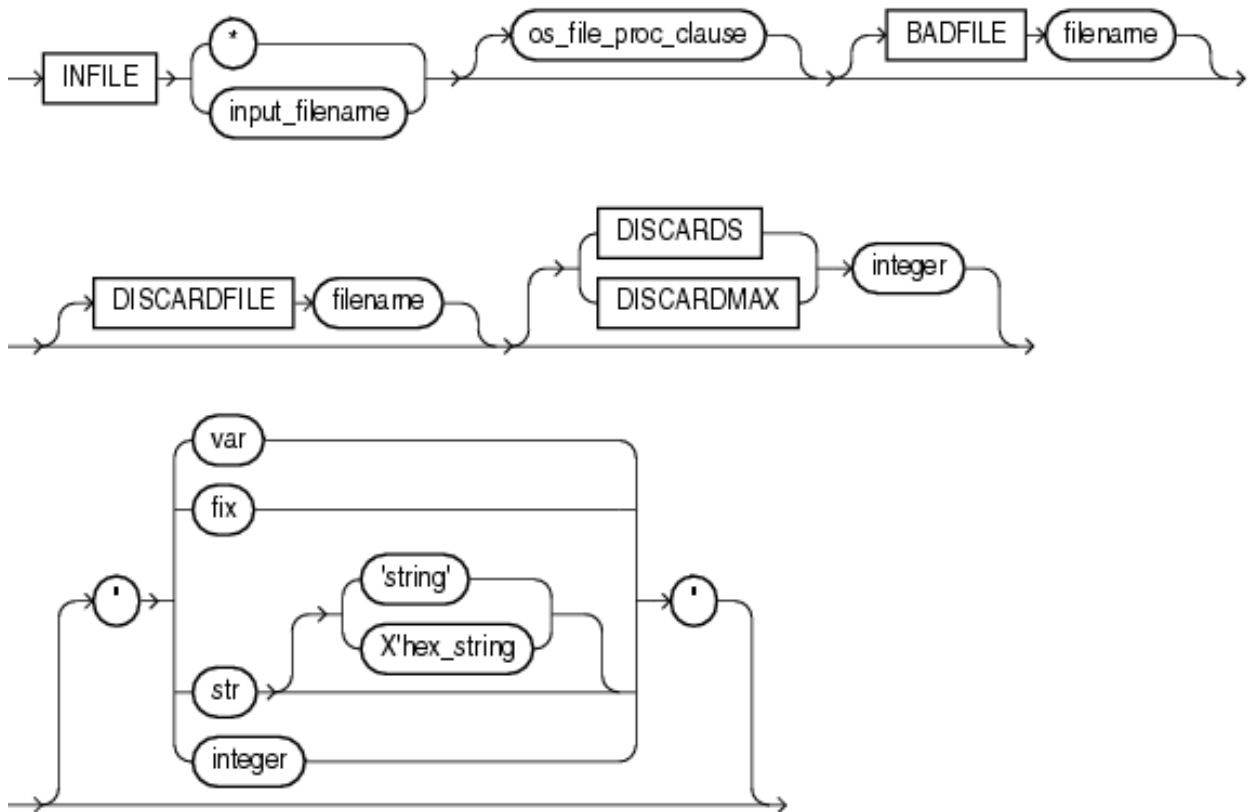
[Description of the illustration options.gif](#)

Load Statement



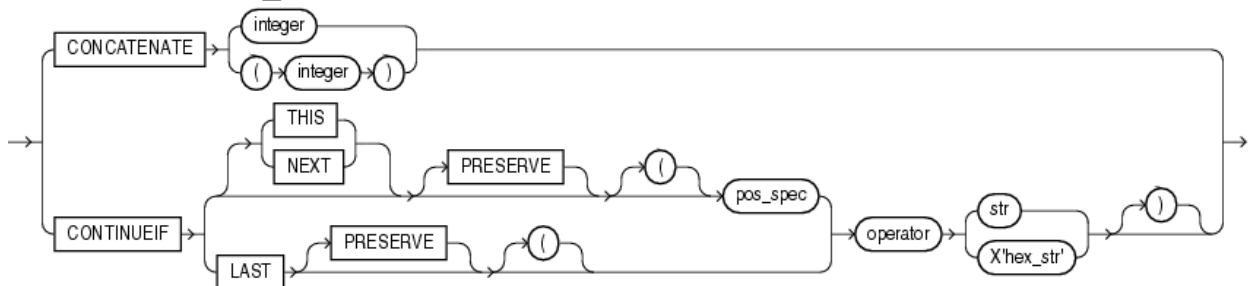
[Description of the illustration load statement.gif](#)

infile_clause



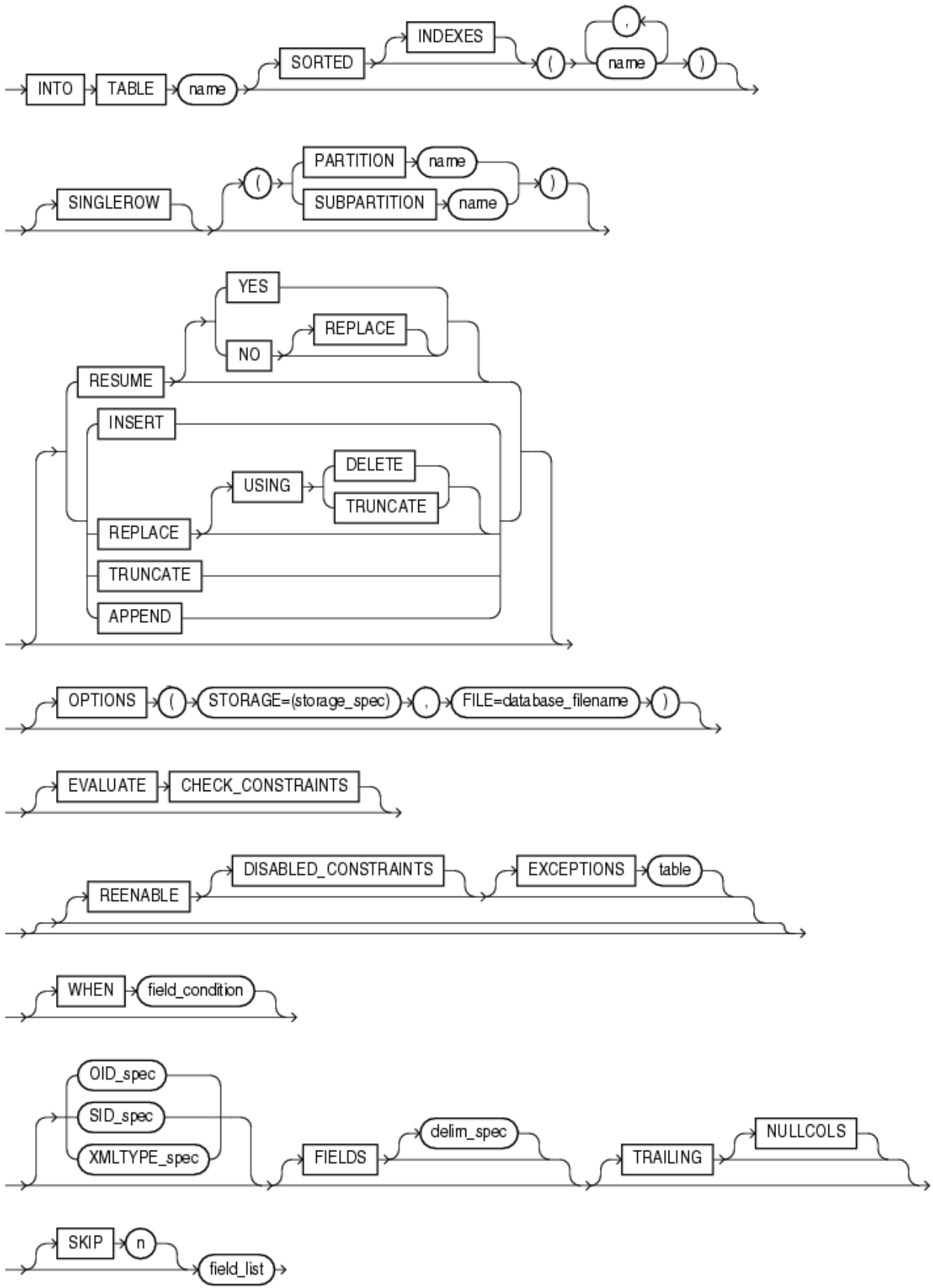
[Description of the illustration infile_clause.gif](#)

concatenate_clause



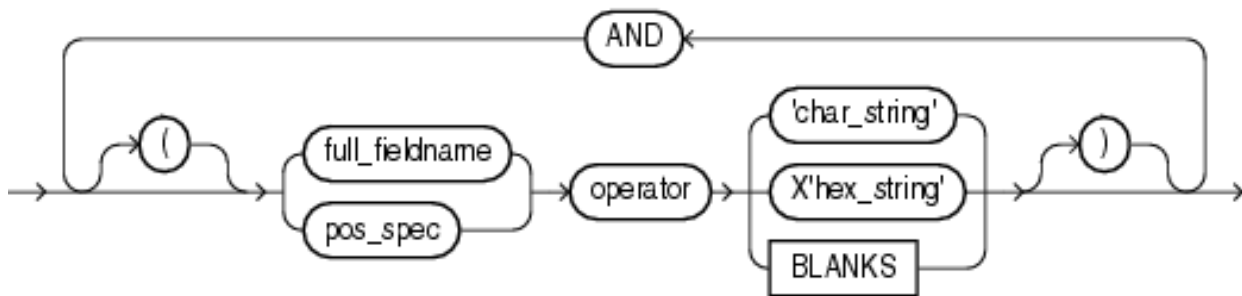
[Description of the illustration concatenate.gif](#)

into_table_clause



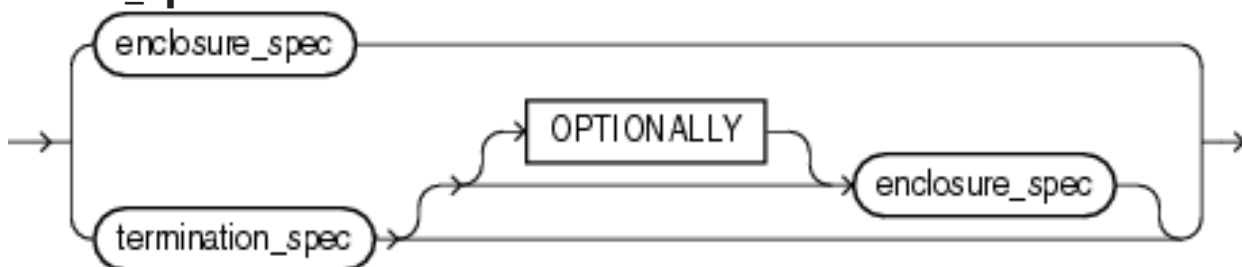
[Description of the illustration intotab_clause.gif](#)

field_condition



[Description of the illustration fld_cond.gif](#)

delim_spec



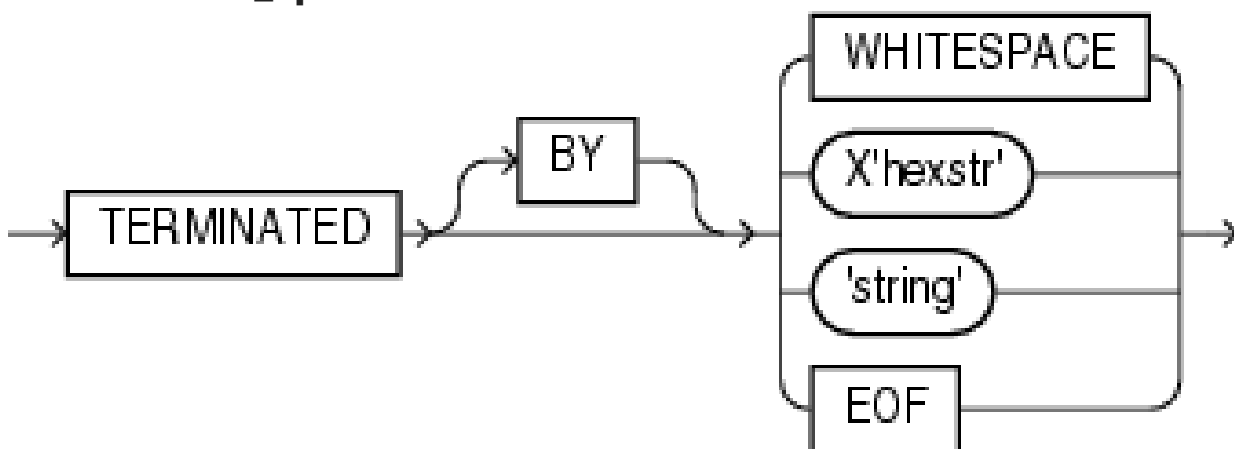
[Description of the illustration delim_spec.gif](#)

full_fieldname



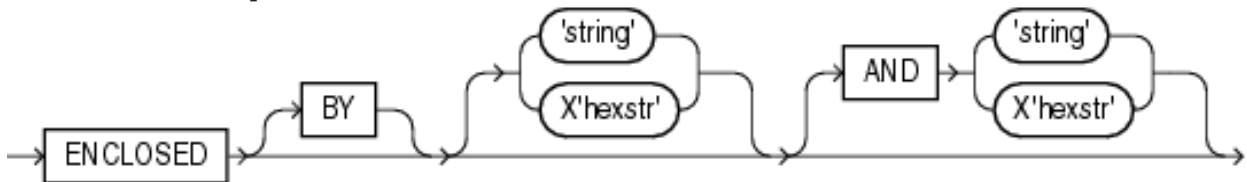
[Description of the illustration fieldname.gif](#)

termination_spec



[Description of the illustration terminat.gif](#)

enclosure_spec



[Description of the illustration enclose.gif](#)

oid_spec



[Description of the illustration oid_spec.gif](#)

sid_spec



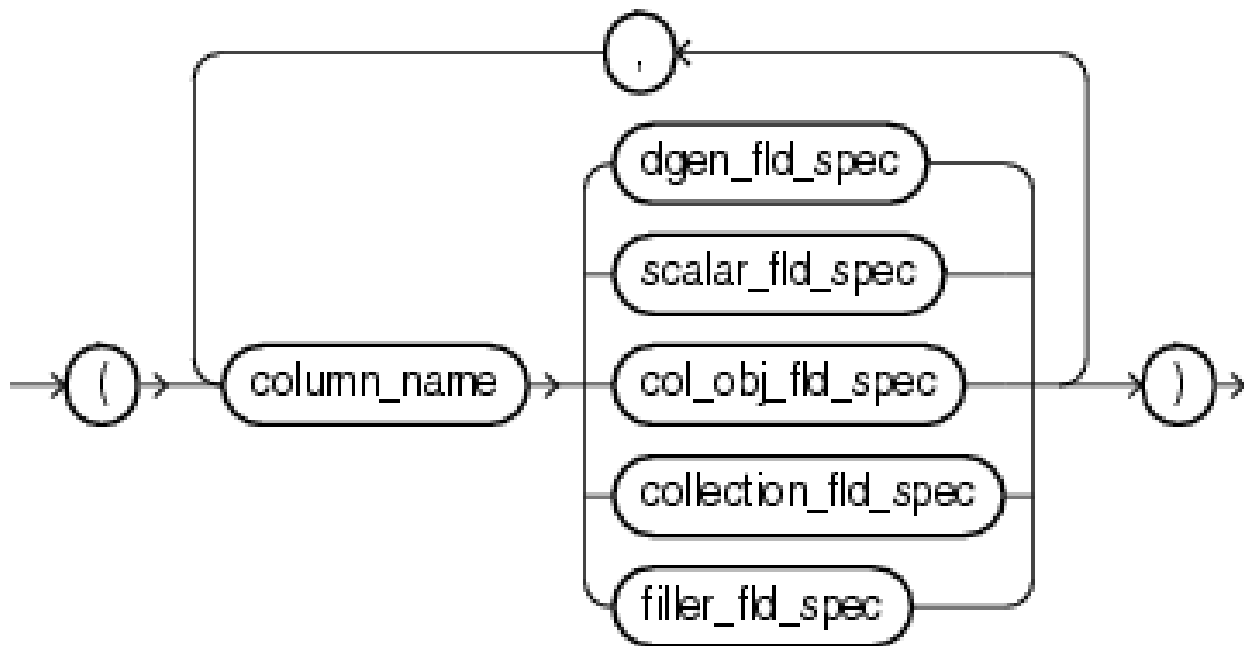
[Description of the illustration sid_spec.gif](#)

xmltype_spec



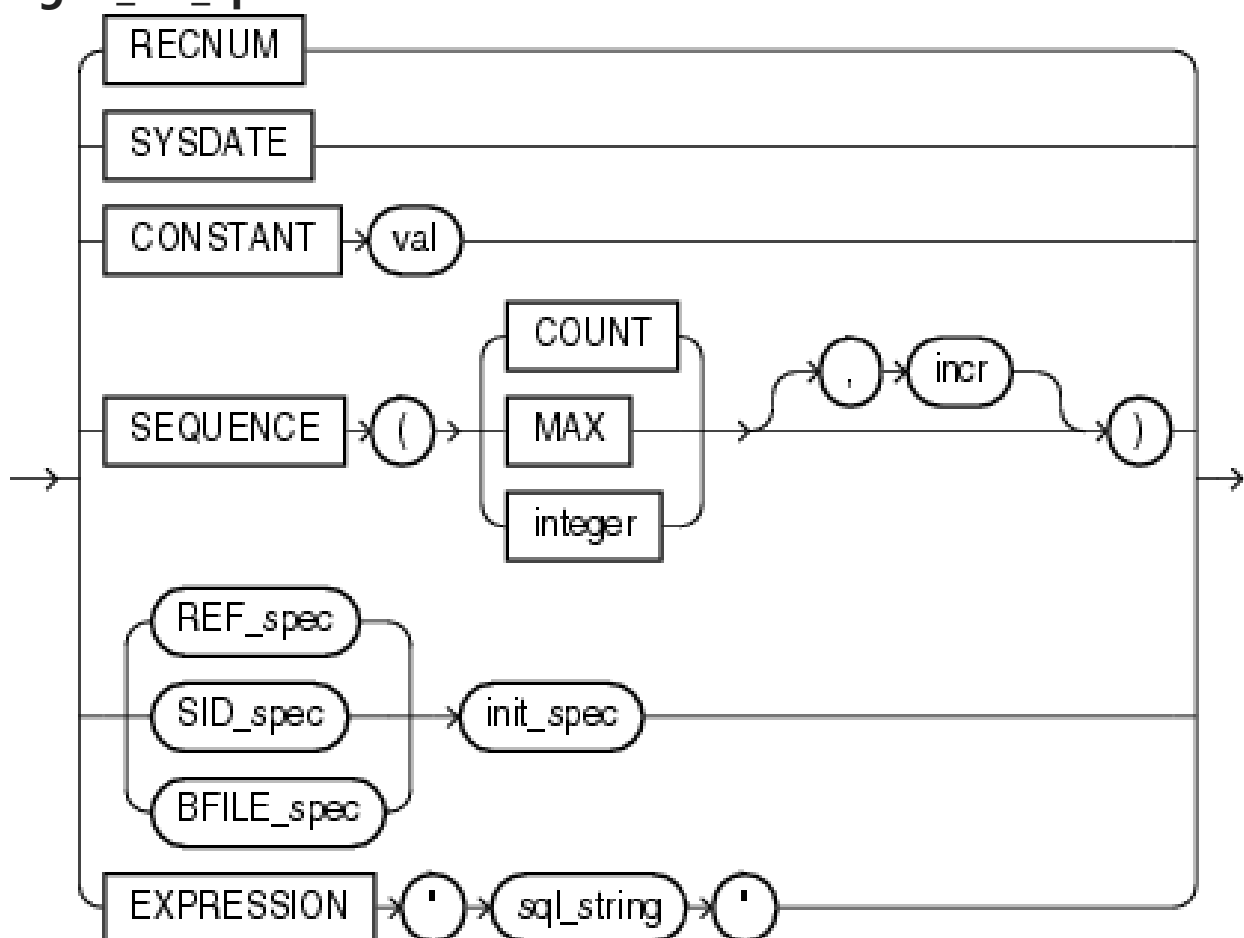
[Description of the illustration xmltype_spec.gif](#)

field_list



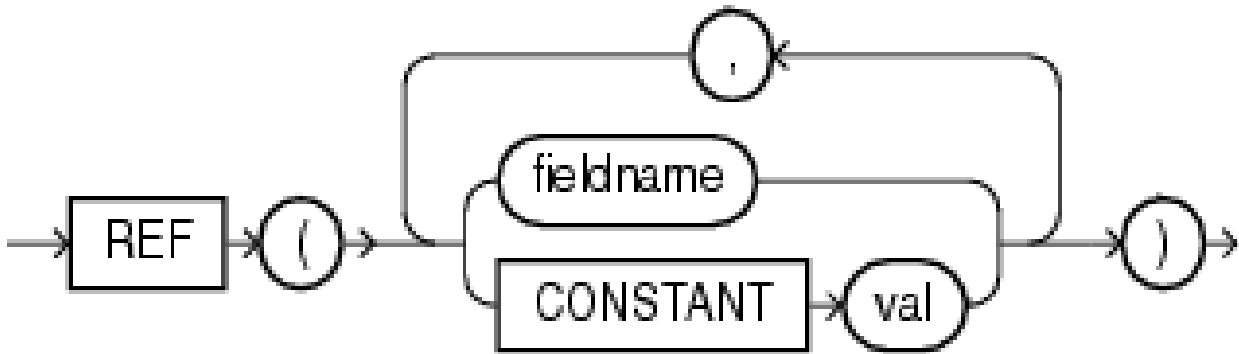
[Description of the illustration field_list.gif](#)

dgen_fld_spec



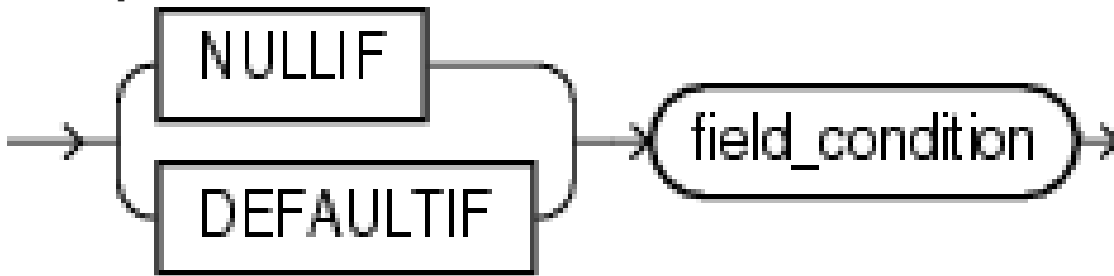
[Description of the illustration dgen fld.gif](#)

ref_spec



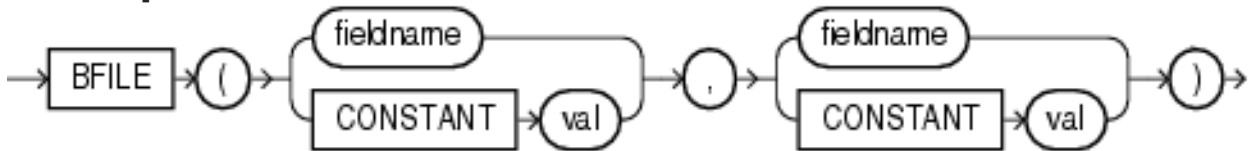
[Description of the illustration ref.gif](#)

init_spec



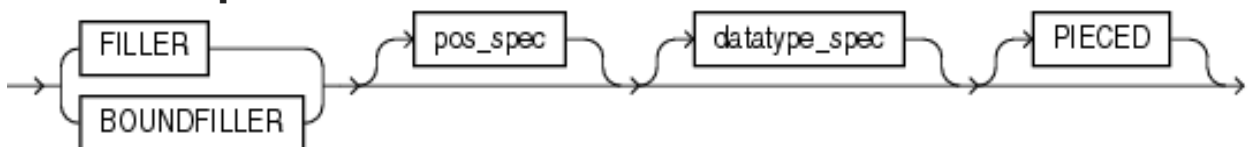
[Description of the illustration init.gif](#)

bfile_spec



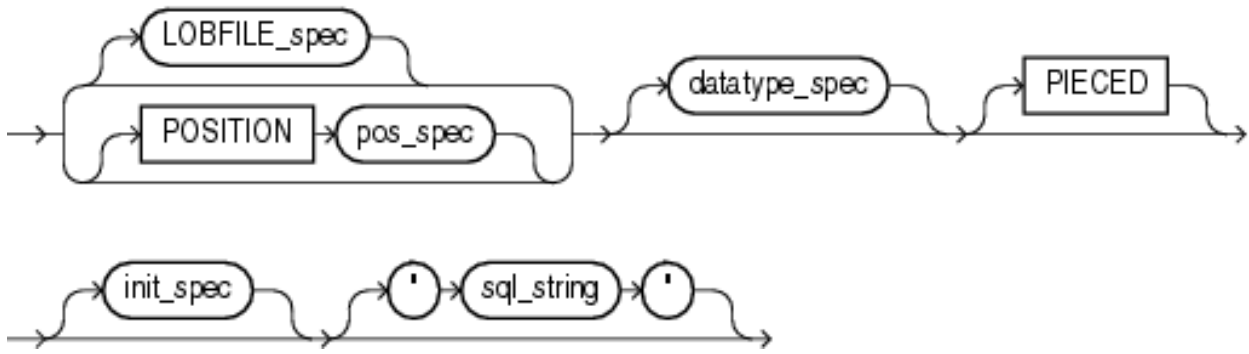
[Description of the illustration bfile.gif](#)

filler fld_spec



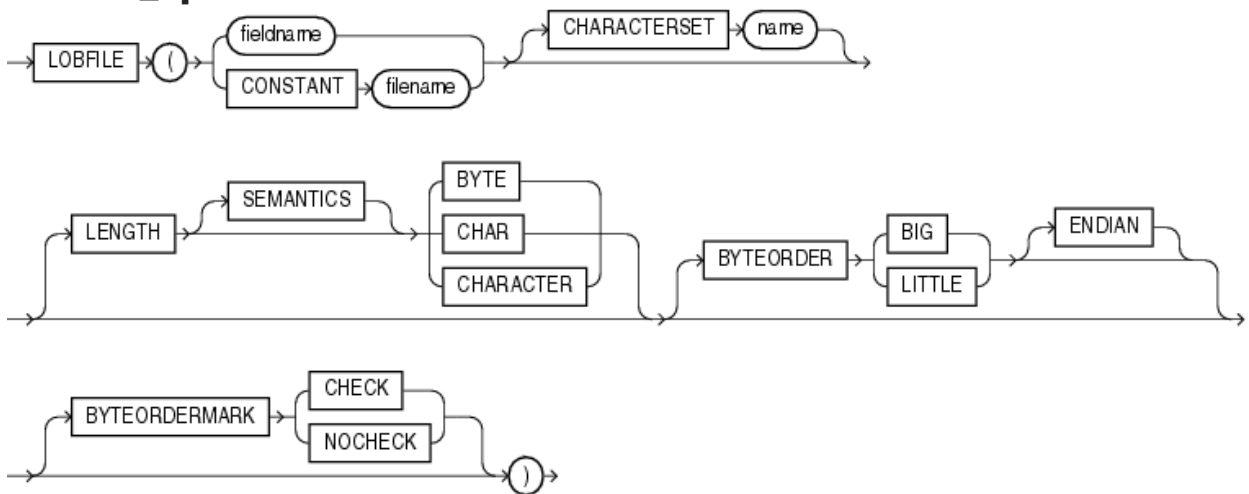
[Description of the illustration filler fld.gif](#)

scalar fld_spec



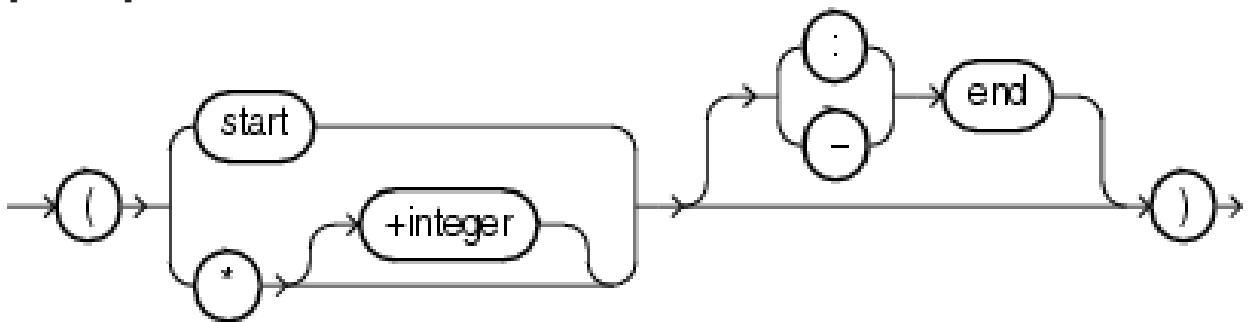
[Description of the illustration scalar.gif](#)

lobfile_spec



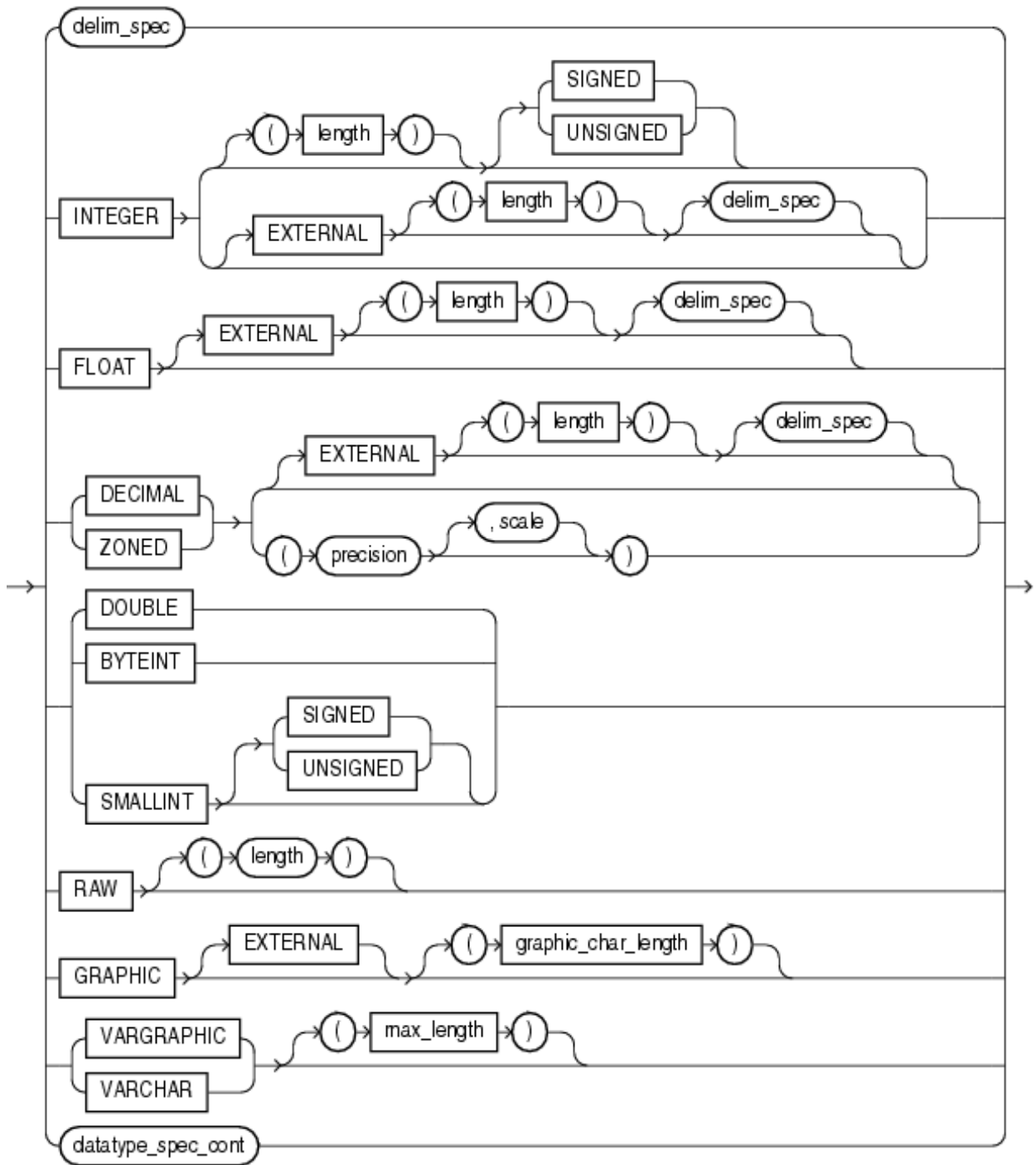
[Description of the illustration lobfile_spec.gif](#)

pos_spec



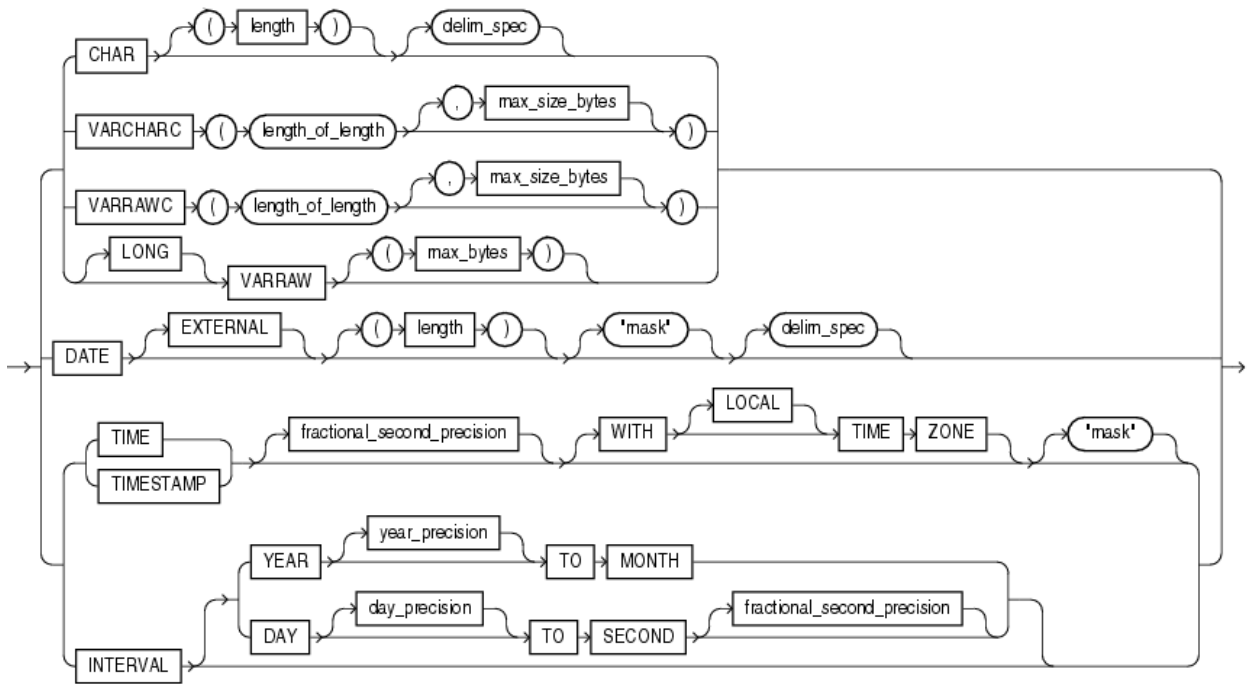
[Description of the illustration pos_spec.gif](#)

datatype_spec



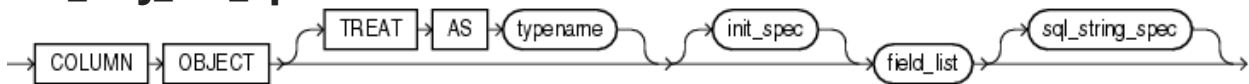
[Description of the illustration datatype_spec.gif](#)

datatype_spec_cont



[Description of the illustration datatype spec cont.gif](#)

col_obj_fld_spec



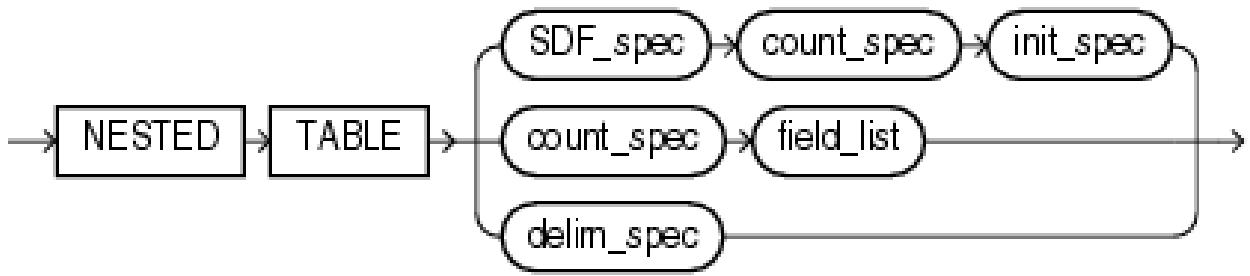
[Description of the illustration col obj fld spec.gif](#)

collection_fld_spec



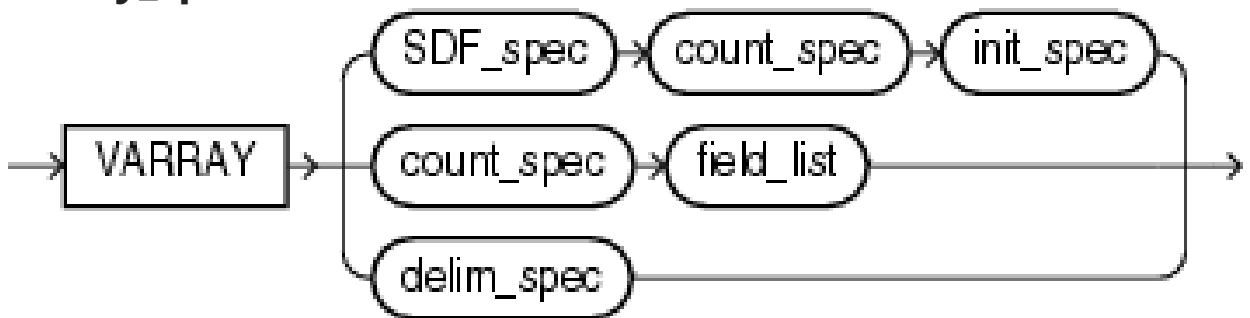
[Description of the illustration coll fld.gif](#)

nested_table_spec



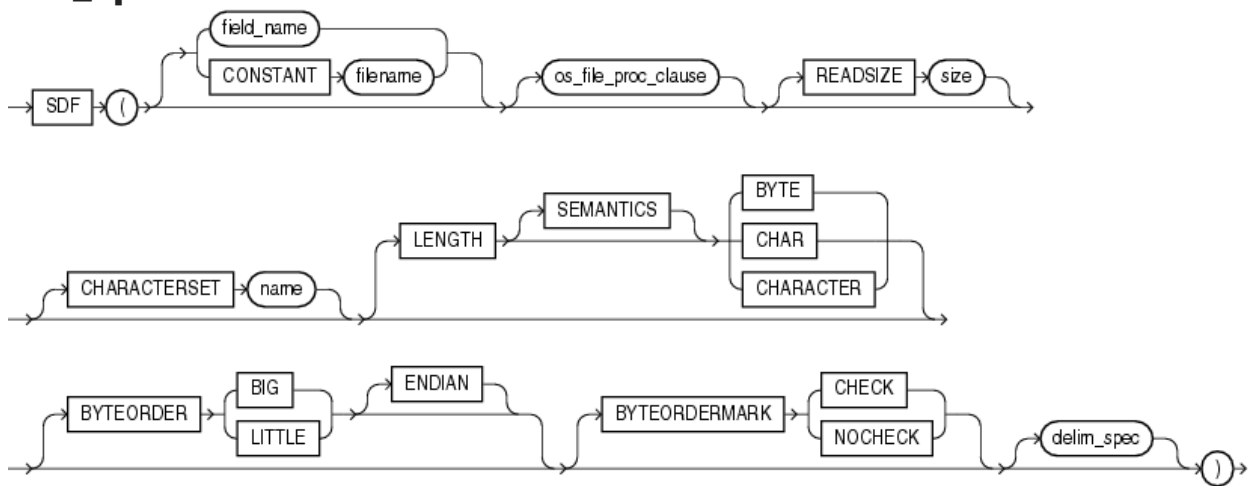
[Description of the illustration nested table.gif](#)

varray_spec



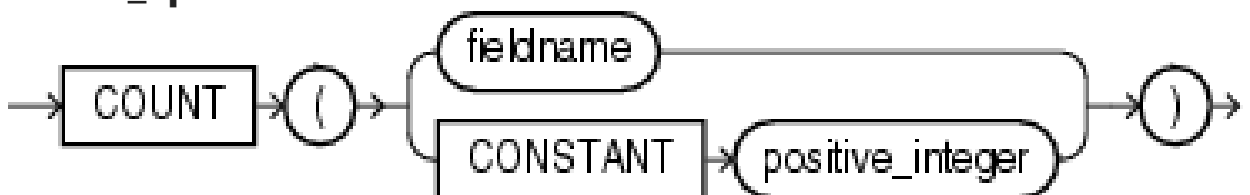
[Description of the illustration varray.gif](#)

sdf_spec



[Description of the illustration sdf.gif](#)

count_spec



[Description of the illustration count.gif](#)